

ALPS

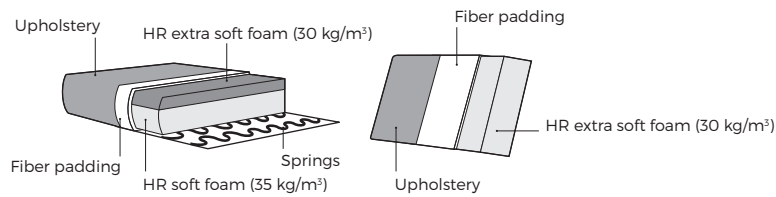


VILMERS

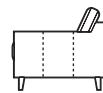
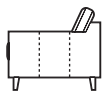
ALPS



Comfort



1. Upholstery



Leather *

Fabric

* Leather and fabric upholstery contain the same number of stitches.

2. Legs



282 Oiled



Wenge coloured lacquer



323 Metal



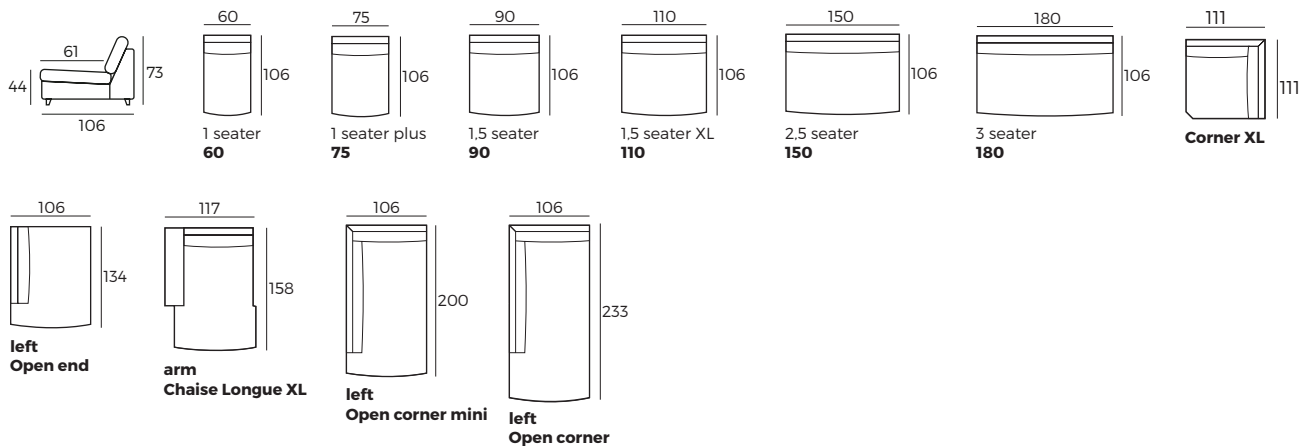
152 Plastic

IMPORTANT:

Upholstered furniture is handmade using soft materials, therefore measurements can vary in all modules by up to **+/-2cm**.
Modules and combinations shown in 2D drawings are left-sided. Modules and combinations can be mirrored from left to right.

Modules

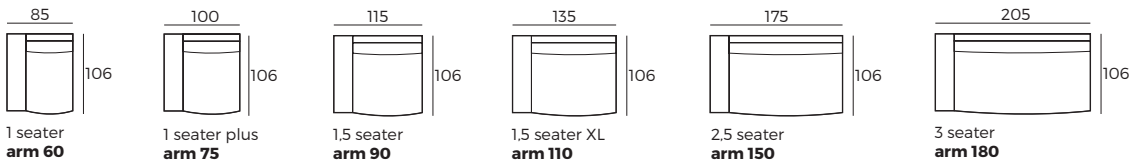
Scale 1:100



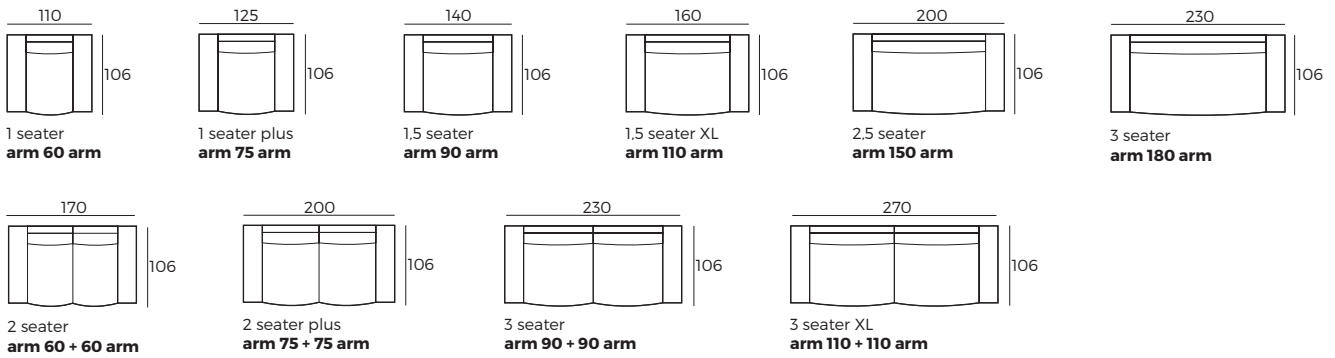
ALPS

Modules with armrest

Scale 1:100



Combinations



Accessories

