

# EDELWEISS

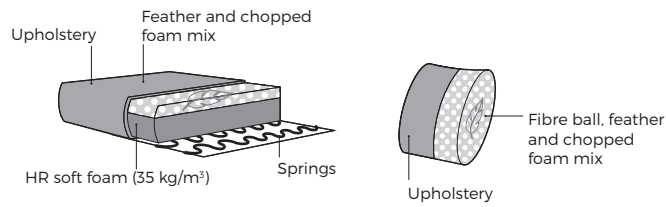


VILMERS

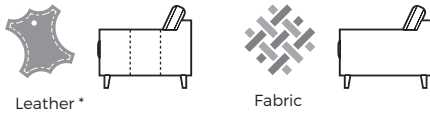
# EDELWEISS



## Comfort



### 1. Upholstery



\* Leather upholstery may require more stitches than fabric upholstery.

### 2. Legs

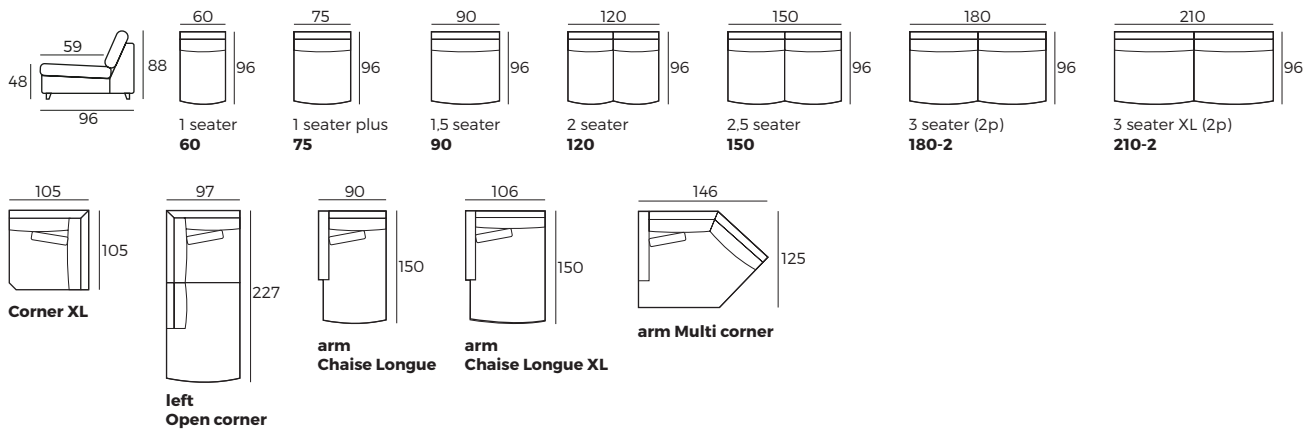


#### IMPORTANT:

Upholstered furniture is handmade using soft materials, therefore measurements can vary in all modules by up to **+/-2 cm**.  
Modules and combinations shown in 2D drawings are left-sided. Modules and combinations can be mirrored from left to right.

## Modules

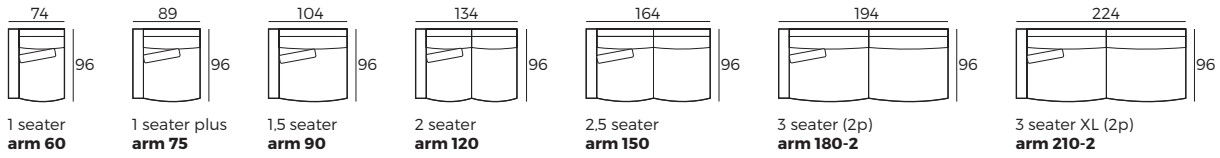
Scale 1:100



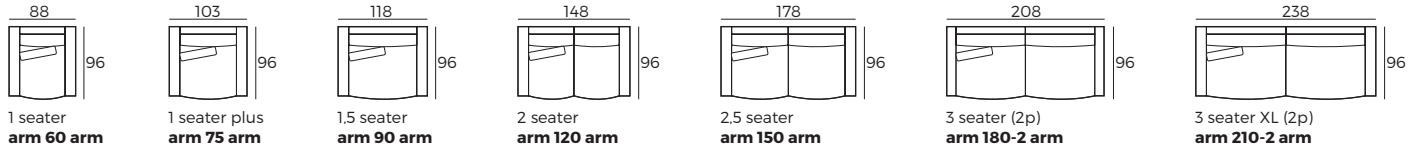
# EDELWEISS

## Modules with armrest

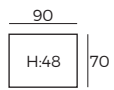
Scale 1:100



## Combinations



## Accessories



**Footstool**  
90x70