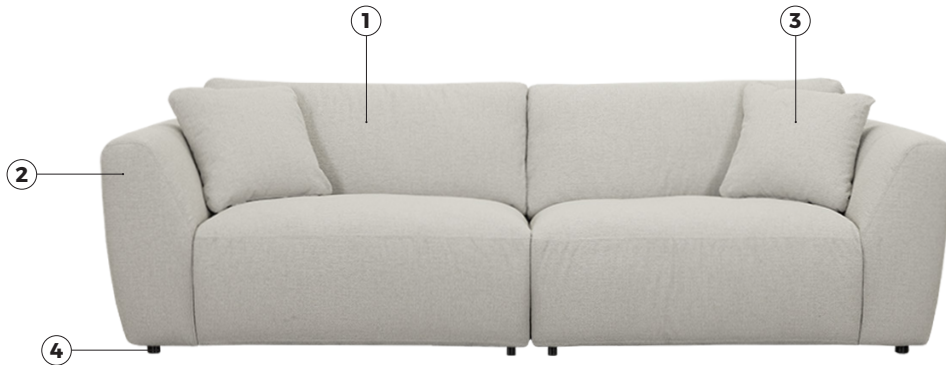


# MORGA

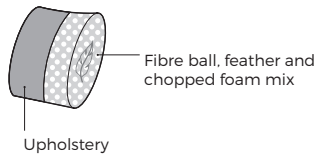
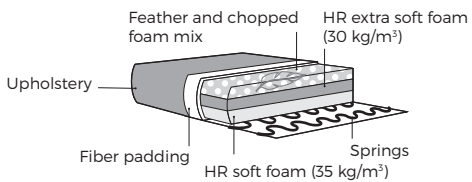


# VILMERS

# MORGA



## Comfort



## 1. Upholstery



Leather



Fabric



\* Leather upholstery may require more stitches than fabric upholstery.

## 2. Armrests



**1. MORGA**  
W 28 x D 106 x H 66



**2. MOSS**  
W 35 x D 106 x H 66

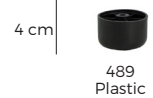


**3. KNOLL**  
W 38 x D 106 x H 66

## 3. Multicolour option



## 4. Legs

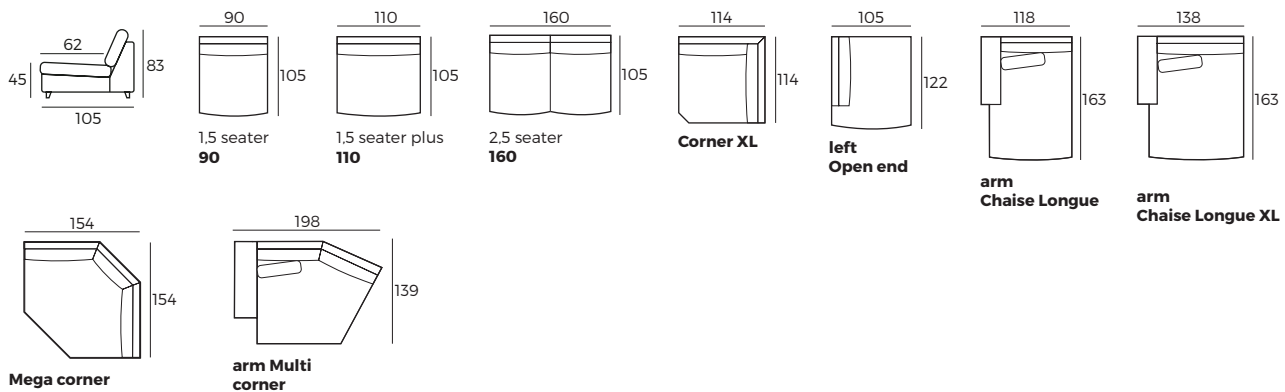


### IMPORTANT:

Upholstered furniture is handmade using soft materials, therefore measurements can vary in all modules by up to **+/-2 cm**.  
Modules and combinations shown in 2D drawings are left-sided. Modules and combinations can be mirrored from left to right.

## Modules (Measurements with MORGA armrest)

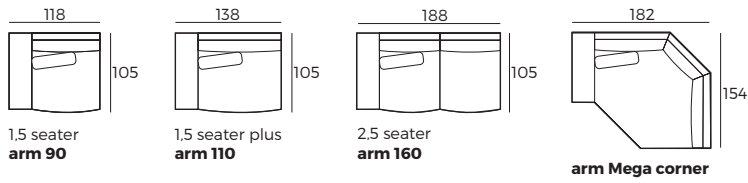
Scale 1:100



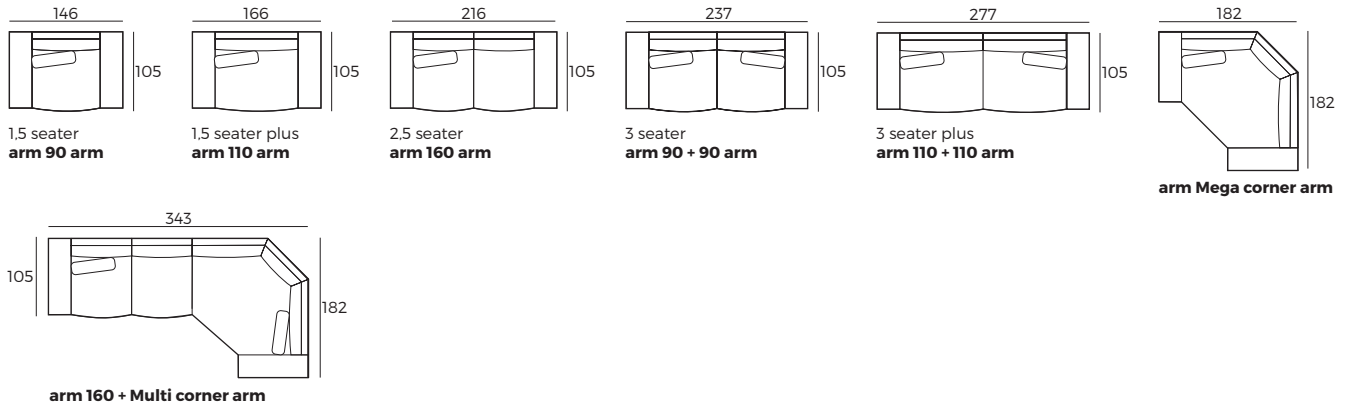
# MORGA

Scale 1:100

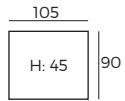
## Modules with armrest (Measurements with MORGA armrest)



## Combinations (Measurements with MORGA armrest)



## Accessories



**Footstool**  
**105x90**